



- (51) International Patent Classification: *B09C 1/00* (2006.01) *B09C 1/06* (2006.01)
- (74) Agent: BRANTS, Johan Philippe Emile; Guldensporenpark 75, B-9820 Merelbeke (BE).
- (21) International Application Number: PCT/EP2011/068554
- (81) Designated States (unless otherwise indicated, for every kind of national protection available): AE, AG, AL, AM, AO, AT, AU, AZ, BA, BB, BG, BH, BR, BW, BY, BZ, CA, CH, CL, CN, CO, CR, CU, CZ, DE, DK, DM, DO, DZ, EC, EE, EG, ES, FI, GB, GD, GE, GH, GM, GT, HN, HR, HU, ID, IL, IN, IS, JP, KE, KG, KM, KN, KP, KR, KZ, LA, LC, LK, LR, LS, LT, LU, LY, MA, MD, ME, MG, MK, MN, MW, MX, MY, MZ, NA, NG, NI, NO, NZ, OM, PE, PG, PH, PL, PT, QA, RO, RS, RU, RW, SC, SD, SE, SG, SK, SL, SM, ST, SV, SY, TH, TJ, TM, TN, TR, TT, TZ, UA, UG, US, UZ, VC, VN, ZA, ZM, ZW.
- (22) International Filing Date: 24 October 2011 (24.10.2011)
- (25) Filing Language: English
- (26) Publication Language: English
- (30) Priority Data: 10447027.3 25 October 2010 (25.10.2010) EP
10447028.1 25 October 2010 (25.10.2010) EP
- (71) Applicant (for all designated States except US): TPS TECHNOLOGIES [BE/BE]; Steenveltstraat 15, B-1180 Brussel (BE).
- (84) Designated States (unless otherwise indicated, for every kind of regional protection available): ARIPO (BW, GH, GM, KE, LR, LS, MW, MZ, NA, RW, SD, SL, SZ, TZ, UG, ZM, ZW), Eurasian (AM, AZ, BY, KG, KZ, MD, RU, TJ, TM), European (AL, AT, BE, BG, CH, CY, CZ, DE, DK, EE, ES, FI, FR, GB, GR, HR, HU, IE, IS, IT, LT, LU, LV, MC, MK, MT, NL, NO, PL, PT, RO, RS, SE, SI, SK, SM, TR), OAPI (BF, BJ, CF, CG, CI, CM, GA, GN, GQ, GW, ML, MR, NE, SN, TD, TG).
- (72) Inventors; and
- (75) Inventors/Applicants (for US only): HAEMERS, Jan [BE/BE]; Zandbeekstraat 163, B-1180 Brussel (BE). SAADAOU, Hatem [BE/BE]; Chaussée de Bruxelles 25 (boite 3), B - 1190 Forest (BE).

[Continued on next page]

(54) Title: DEVICES AND METHODS FOR SOIL REMEDIATION

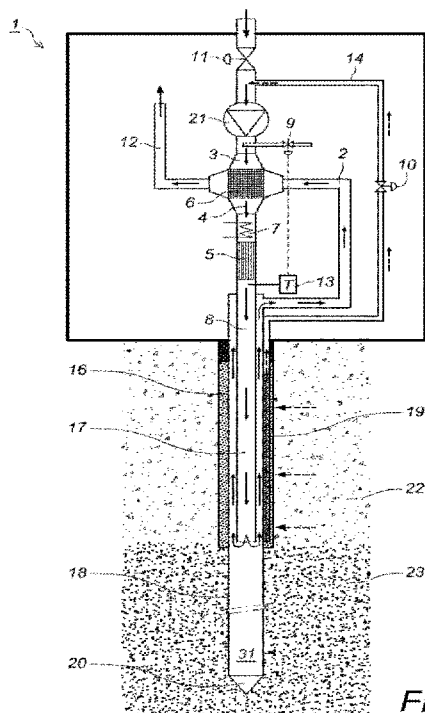


Fig. 2

(57) Abstract: The present invention provides devices or systems and a method for remediating a soil comprising contaminants, comprising the steps of: -introducing in said soil at least one perforated column for contaminant extraction from a contaminated region of said soil; in close proximity of said at least one perforated column introducing at least one non-perforated column for providing heat to said contaminated region of said soil; providing heat to said at least one non-perforated column; extracting said contaminant vapor containing said soil contaminants out of said contaminated region of said soil into said at least one perforated column; removing said contaminant vapor from said at least one perforated column, thereby providing remediated soil; wherein said at least one perforated column and said at least one non-perforated column are connectable to at least one surface-located device comprising a combustion, a heating and control unit for heating and thereby cleaning said soil.





Declarations under Rule 4.17:

- *as to the applicant's entitlement to claim the priority of the earlier application (Rule 4.17(iii))*
- *of inventorship (Rule 4.17(iv))*

- *before the expiration of the time limit for amending the claims and to be republished in the event of receipt of amendments (Rule 48.2(h))*

(88) Date of publication of the international search report:

20 September 2012

Published:

- *with international search report (Art. 21(3))*

INTERNATIONAL SEARCH REPORT

International application No
PCT/EP2011/068554

A. CLASSIFICATION OF SUBJECT MATTER
INV. B09C1/00 B09C1/06
ADD.
According to International Patent Classification (IPC) or to both national classification and IPC

B. FIELDS SEARCHED
Minimum documentation searched (classification system followed by classification symbols)
B09C
Documentation searched other than minimum documentation to the extent that such documents are included in the fields searched

Electronic data base consulted during the international search (name of data base and, where practicable, search terms used)
EPO-Internal, WPI Data

C. DOCUMENTS CONSIDERED TO BE RELEVANT		
Category*	Citation of document, with indication, where appropriate, of the relevant passages	Relevant to claim No.
X	WO 03/035290 A1 (SHELL OIL CO [US]; SHELL CANADA LTD [CA]) 1 May 2003 (2003-05-01) abstract page 1, line 1 - page 23, line 3; claims 1-87; figures 1-6D -----	1-15
X	EP 1 604 749 A1 (DEEP GREEN [BE] D2G [BE]) 14 December 2005 (2005-12-14) abstract paragraphs [0001] - [0080]; claims 1-29; figures 1-4 -----	1-15
A	US 5 558 463 A (GEISEL DONALD J [US]) 24 September 1996 (1996-09-24) column 1, line 6 - column 5, line 37; claims 1-38; figures 1-7 ----- -/--	1-15

Further documents are listed in the continuation of Box C. See patent family annex.

* Special categories of cited documents :

"A" document defining the general state of the art which is not considered to be of particular relevance	"T" later document published after the international filing date or priority date and not in conflict with the application but cited to understand the principle or theory underlying the invention
"E" earlier application or patent but published on or after the international filing date	"X" document of particular relevance; the claimed invention cannot be considered novel or cannot be considered to involve an inventive step when the document is taken alone
"L" document which may throw doubts on priority claim(s) or which is cited to establish the publication date of another citation or other special reason (as specified)	"Y" document of particular relevance; the claimed invention cannot be considered to involve an inventive step when the document is combined with one or more other such documents, such combination being obvious to a person skilled in the art
"O" document referring to an oral disclosure, use, exhibition or other means	"&" document member of the same patent family
"P" document published prior to the international filing date but later than the priority date claimed	

Date of the actual completion of the international search 2 August 2012	Date of mailing of the international search report 09/08/2012
---	---

Name and mailing address of the ISA/ European Patent Office, P.B. 5818 Patentlaan 2 NL - 2280 HV Rijswijk Tel. (+31-70) 340-2040, Fax: (+31-70) 340-3016	Authorized officer Psoch, Christian
--	---

INTERNATIONAL SEARCH REPORT

International application No
PCT/EP2011/068554

C(Continuation). DOCUMENTS CONSIDERED TO BE RELEVANT		
Category*	Citation of document, with indication, where appropriate, of the relevant passages	Relevant to claim No.
A	US 3 994 341 A (ANDERSON DONALD J ET AL) 30 November 1976 (1976-11-30) line 22 - column 7, line 35; claims 1-11; figures 1-4 -----	1-15

INTERNATIONAL SEARCH REPORT

Information on patent family members

International application No PCT/EP2011/068554

Patent document cited in search report	Publication date	Patent family member(s)	Publication date
WO 03035290	A1	01-05-2003	AT 299403 T 15-07-2005
			BR 0213511 A 19-10-2004
			CA 2462215 A1 01-05-2003
			DE 60205038 D1 18-08-2005
			DE 60205038 T2 20-04-2006
			DK 1467826 T3 14-11-2005
			EP 1467826 A1 20-10-2004
			JP 4509558 B2 21-07-2010
			JP 2005506902 A 10-03-2005
			MX PA04003712 A 30-07-2004
			TW 564192 B 01-12-2003
			US 2004126190 A1 01-07-2004
			WO 03035290 A1 01-05-2003

EP 1604749	A1	14-12-2005	AT 437707 T 15-08-2009
			CA 2569621 A1 22-12-2005
			DK 1604749 T3 23-11-2009
			EP 1604749 A1 14-12-2005
			EP 1786575 A1 23-05-2007
			ES 2330333 T3 09-12-2009
			US 2008069640 A1 20-03-2008
			WO 2005120737 A1 22-12-2005

US 5558463	A	24-09-1996	NONE

US 3994341	A	30-11-1976	CA 1060339 A1 14-08-1979
			DE 2649487 A1 05-05-1977
			FR 2329840 A1 27-05-1977
			US 3994341 A 30-11-1976
